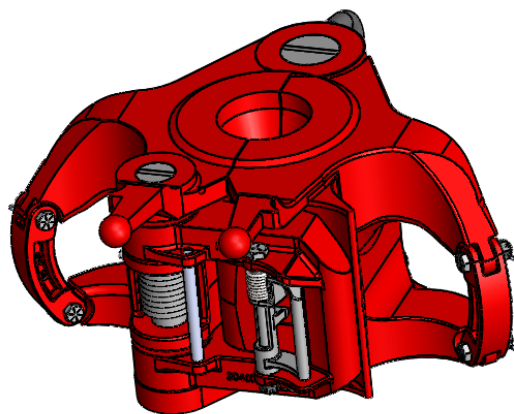
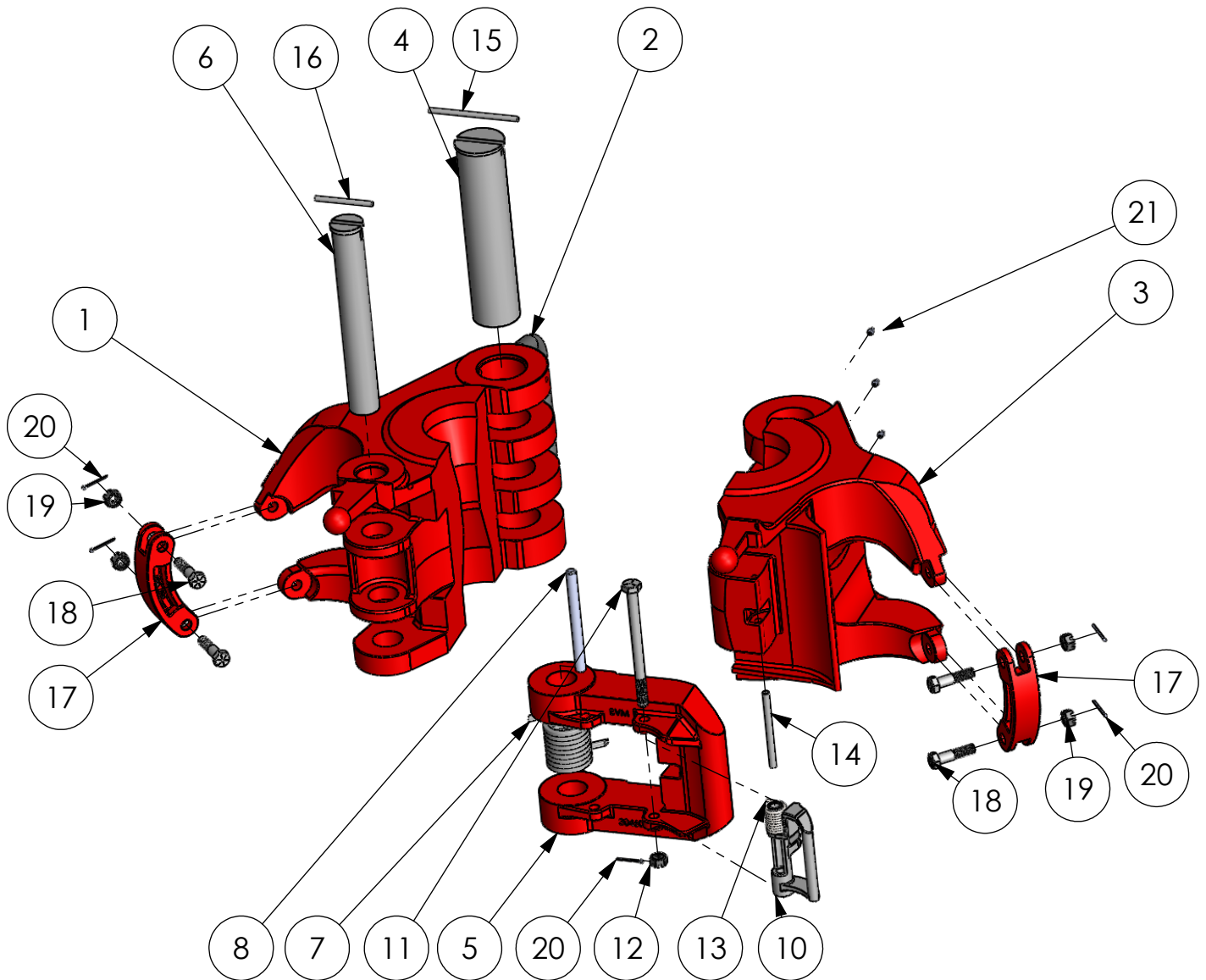


# BVM G SERIES ELEVATOR

"G" Series Elevators are 18 deg bore elevators used for drill pipe and have a working capacity of 100, 150, 175, 250, 350 and 500 Tons depending on the model. BVM elevators are made from high quality alloy steel, fully heat treated, magnetic particle inspected, and radio-graphed or ultrasonically inspected. All steel specifications are certified. The elevators are equipped with easy operating handles, rear handle, latch and safety lock combination, similarly balanced body and door, and link ears conforming to API requirements.



12/10/2021

**BVM CORPORATION**

307 MAGNOLIA BUSINESS PARK DR.  
MAGNOLIA, TX 77354; PHONE: 346-296-5501  
www.bvmcorp.com; sales@bvmcorp.com

# BVM G SERIES ELEVATOR

SIZE & TYPE OF STYLE	MG	RG	MGG	MGG	GG	HGG
	100 Ton	150 Ton	175 Ton	250 Ton	350 Ton	500 Ton
2 3/8" EU	30157-116	30156-116	-	-	-	-
2 7/8" IU	30157-117	30156-117	-	-	-	-
2 7/8" EU	30157-118	30156-118	13884-118	35005-118	-	-
3 1/2" IU	30157-119	30156-119	13884-119	35005-119	-	-
3 1/2" EU	30157-120	30156-120	13884-120	35005-120	-	-
4" IU	30157-121	30155-121	13884-121	35005-121	31068-121	70013-121
4" EU or 4 1/2" IU IEU	30157-122	30155-122	13884-122	35005-122	31068-122	70013-122
4 1/2" EU or 5" IEU	30157-123	30155-123	13884-123	35005-123	31068-123	70013-123
5 1/2" EU (FH)	-	30155-124	-	35005-124	31068-124	70013-124
5 1/2" IF	-	-	-	-	31068-678	70013-678
5 7/8" IEU	-	-	-	-	31068-789	70013-789
6 5/8" FH	-	-	-	-	-	70013-740

REF	DESCRIPTION	QTY.	MG 100T	RG 150T	RG 150T	MGG 175T	MGG 250T	GG 350T	HGG 500T
1	BODY	1	30157L	30156L	30155L	13884L	35005L	31068L	70013L
2	BODY BACK HANDLE	1	-	-	-	-	-	-	70013LH
3	DOOR	1	30157R	30156R	30155R	13884R	35005R	31068R	70013R
4	HINGE PIN	1	26813-2*	23569-1**	23568	13888	34908	33998	30553
5	LATCH	1	11763	23543	200363	13151	34906	31071	30460M
6	LATCH PIN	1	26814	23544-1	23567	13154	34907	33999	30613
7	LATCH SPRING	1	11766	23546	200367	13155	34909	18416	31228-2
8	LATCH SPRING STOP	1	-	23548	23548	13185	13185	13185-1	31215
9	LATCH CAM	1	11581	-	-	-	-	-	-
10	LATCH LOCK	1	11764	13152	13152	13152	13152	13152	13152-1
11	LATCH LOCK PIN	1	11759-1	15101	15101	15101	15101	15101	31138
12	LATCH LOCK BOLT NUT	1	-	6812C-00-5	6812C-00-5	6812C-00-5	6812C-00-5	6812C-00-5	6812C-00-5
13	LATCH LOCK SPRING	1	-	13188	13188	13188	13188	13188	13188
14	DOOR LUG PIN	1	12529	23547	23547	13190	13190	13190	31216
15	HINGE PIN RETAINER	1	40040-28-0	40040-24-0	40050-30-0	40050-16-0	40060-32-0	40060-40-0	51060-56-0
16	LATCH PIN RETAINER	1	40040-18-0	40040-22-0	40040-22-0	40040-28-0	40040-28-0	40050-32-0	51060-36-0
17	LINK BLOCK	2	26817	9519	9519	9519	9519	9519	30942
18	LINK BLOCK BOLT	4	8145	8145	8145	8145	8145	8145	8145
19	LINK BLOCK NUT	4	6812C-00-5	6812C-00-5	6812C-00-5	6812C-00-5	6812C-00-5	6812C-00-5	6812C-00-5
20	COTTER PIN	5	30AB0-14-0 (x4)	30AB0-14-0	30AB0-14-0	30AB0-14-0	30AB0-14-0	30AB0-14-0	30AB0-14-0
21	GREASE FITTING	1	940308-1 (x2)	940308-1	940308-1	940308-1	940308-1	940308-1 (x2)	940308-1 (x3)
22	COTTER PIN	1	30020-08-0	-	-	-	-	-	-
23^	WEAR BUSHING	1	-	-	-	13160-XXX	13160-XXX	13160-XXX	13160-XXX

\*= Use Hinge Pin P/N 26813-1 for Elevators S/N 29707 & Lower, otherwise use P/N 26813-2

\*\*= Use Hinge Pin P/N 23569 for Elevators S/N 30012 & Lower, otherwise use P/N 23569-1

^= Optional (not pictured), add W to end of elevator PN to include wear bushing; XXX corresponds to bore code