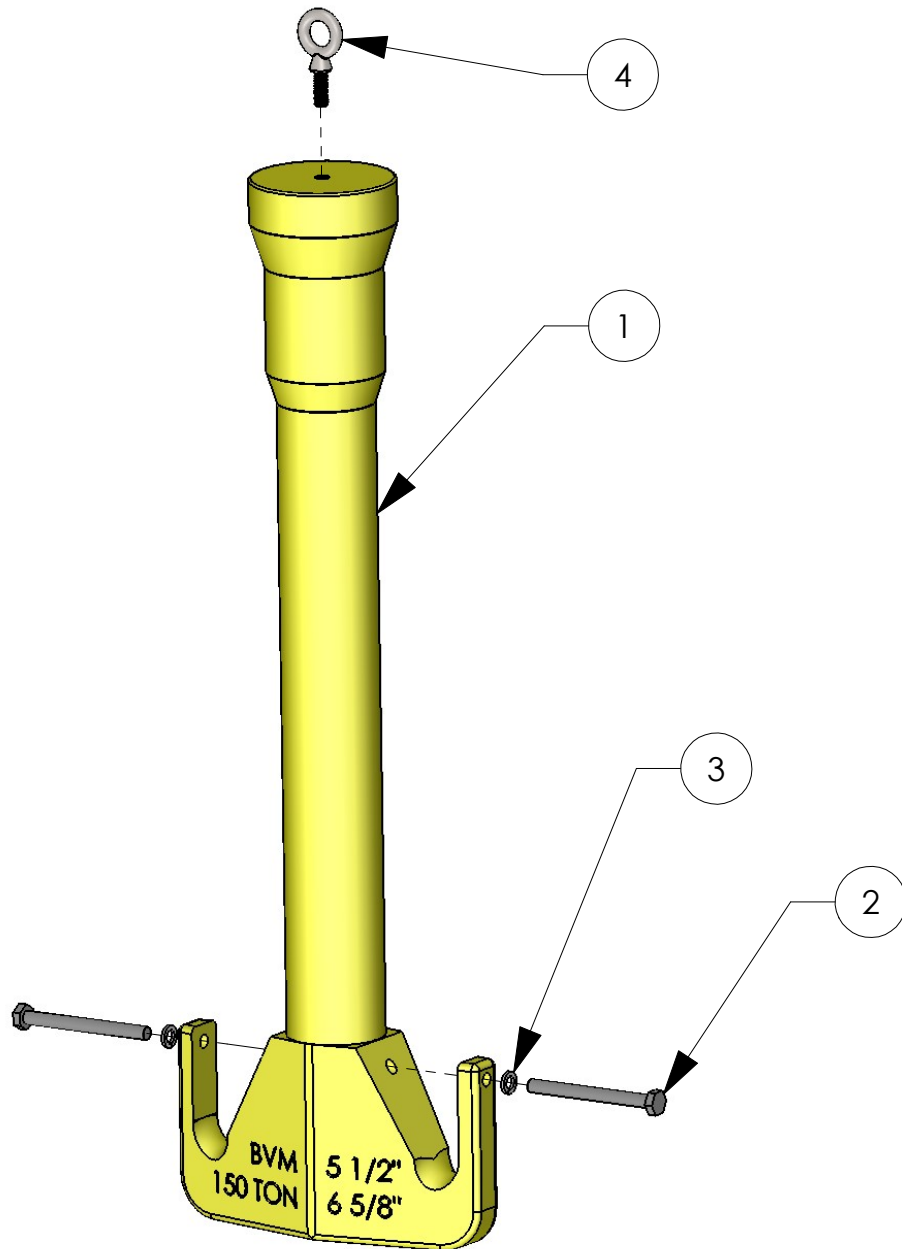


# BVM BECKET / DRILL COLLAR DOLLY

The BVM Becket / Drill Collar Dolly allows for an efficient method for handling drill collars without having to remove the elevator from the links. The size range is 3-1/2" to 6 5/8" and are suitable for use with BVM perfection links.

ITEM NO.	DESCRIPTION	QTY	PART NO.
1	BECKET	1	3134-XXX
2	HEX BOLT 3/4-10 X 8"	2	1412C-64-8
3	3/4" LOCKWASHER	2	20120-00-0
4	3/4-10 X 2" EYEBOLT	1	75CHES



## BVM CORPORATION

430 S. NAVAJO STREET, DENVER CO 80223  
PHONE: 303-975-1402; FAX: 303-975-0981  
www.bvmcorp.com; sales@bvmcorp.com