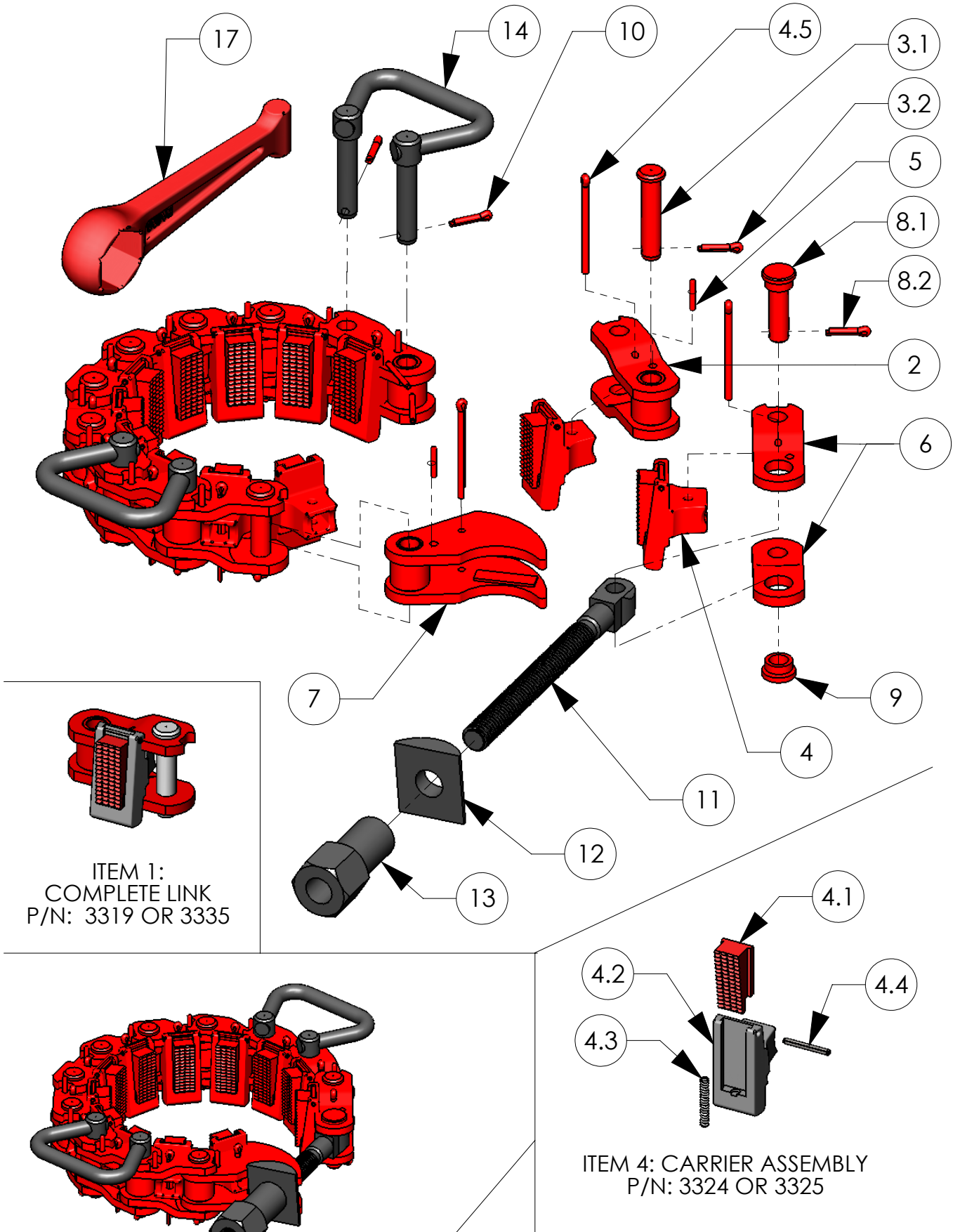


# BVM MP SAFETY CLAMP



33015 SHOWN  
MP-R: 3 1/2" - 10 1/2"

**BVM CORPORATION**  
430 S. NAVAJO STREET, DENVER CO 80223  
PHONE: 303-975-1402; FAX: 303-975-0981  
www.bvmcorp.com; sales@bvmcorp.com

# BVM MP SAFETY CLAMP

AP = As Required    OPT = Optional    \* = Not Shown

1/12/2021