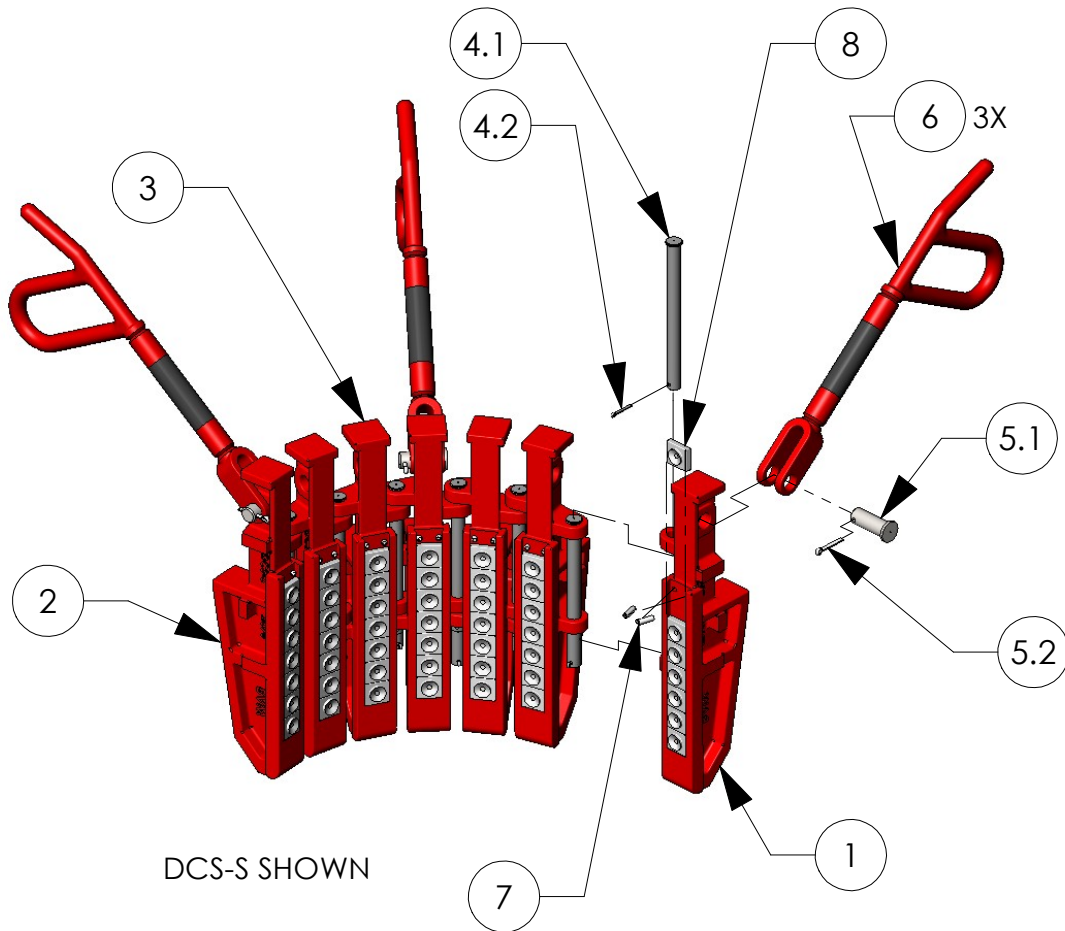


BVM DRILL COLLAR SLIPS

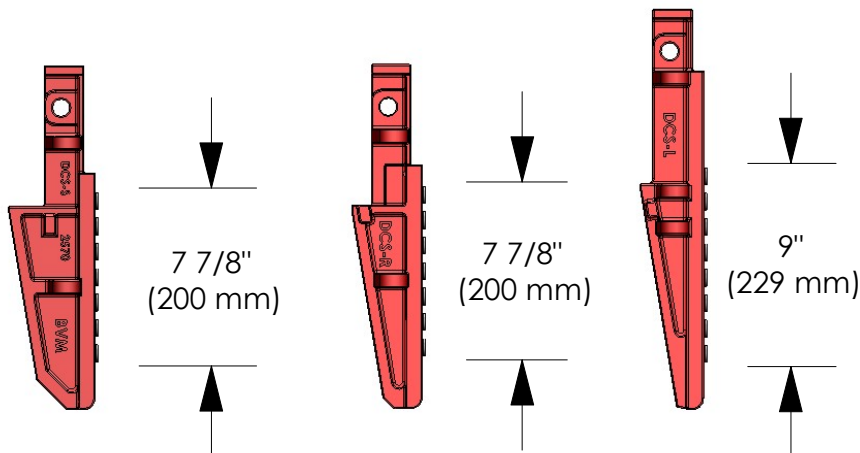
BVM Drill Collar Slips type "DCS" are designed for use while running drill collars and are sized from 3" through 14" OD and have a 4" taper. These slips are light-weight, self-centering and made with a web type construction for support where it's needed. Slips are made from alloy steel, heat treated and magnetic particle tested for maximum durability. All steel specifications are certified. Flexible handles are standard.



DCS-S
RANGE
3" - 4-7/8"

DCS-R
RANGE
4-1/2" - 7"

DCS-L
RANGE
5-1/2" - 14"



BVM CORPORATION
307 MAGNOLIA BUSINESS PARK DR.
MAGNOLIA, TX 77354; PHONE: 346-296-5501
www.bvmcorp.com; sales@bvmcorp.com

BVM TYPE DCS DRILL COLLAR SLIPS

PARTS LIST

ITEM NO.	SLIP TYP	DCS-S		DCS-R		DCS-L	
	DESCRIPTION	P/N	WEIGHT (lbs)	P/N	WEIGHT (lbs)	P/N	WEIGHT (lbs)
1	RIGHT END SEGMENT	2568	11.4	2554	10.4	2510	11.1
2	LEFT END SEGMENT	2569	11.4	2555	10.4	2511	11.1
3	INTERMEDIATE SEGEMENT	2570	11.7	2556	10.7	2512	11.6
4	HINGE PIN w/COTTER PIN	2525	--	2525	--	2520	--
4.1	HINGE PIN	2525-1	0.7	2525-1	0.7	2520-1	0.7
4.2	COTTER PIN	30020-08-0	0.1	30020-08-0	0.1	30020-08-0	0.1
5	HANDLE PIN w/COTTER PIN	98717	--	98717	--	98717	--
5.1	HANDLE PIN	98717-1	0.3	98717-1	0.3	98717-1	0.3
5.2	COTTER PIN	30030-10-0	0.1	30030-10-0	0.1	30030-10-0	0.1
6	FLEX HANDLE	98714-FLEX	3.5	98714-FLEX	3.5	98714-FLEX	3.5
7	ROLL PIN	40040-06-0	0.1	40040-06-0	0.1	40040-06-0	0.1
8	CIRCULAR BUTTON	*	--	*	--	*	--

DCS - MULTI-SEGMENT DRILL COLLAR SLIPS

SLIP TYPE	DRILL COLLAR OD (in)	P/N, SLIP COMPLETE	WEIGHT COMPLETE (lbs)	TOTAL SEGMENTS	RATING (TONS)	USE IN INSERT BOWL	HANDLES	BUTTONS PER SLIP
DCS-S	3 - 4	2572-FH	112	7	120	No.3 Regular or Extended	3	7
	4 - 4-7/8	2573-FH	103	7	120	No.3 Regular or Extended		
DCS-R	4-1/2 - 6	2552-FH	120	9	150	No.3 Regular or Extended	3	7
	5-1/2 - 7	2550-FH	112	9	150	No.3 Regular or Extended		
DCS-L	5-1/2 - 7	2501-FH	154	11	165	No.3 Regular or Extended	3	8
	6-3/4 - 8-1/4	2503-FH	154	11	165	No.3 Regular or Extended		
	8 - 9-1/2	2507-FH	173	12	180	No.3 Extended		
	8-1/2 - 10	2530-FH	185	13	195	No.2	4	
	9-1/4 - 11-1/4	2508-FH	198	14	210	No.2		
	11 - 12-3/4	2534-FH	213	17	255	No.1		
	12 - 14	2536-FH	207	17	255	No.1		

Circular Buttons for DCS Slips

SLIP SET	DRILL COLLAR OD (in)	P/N	WEIGHT (lbs)	QTY TOTAL
DCS-S	3 - 4	2628-49	13	49
	4 - 4-7/8	2620-49	8	49
DCS-R	4-1/2 - 6	2628-63	16	63
	5-1/2 - 7	2620-63	11	63
DCS-L	5-1/2 - 7	2513-88	22	88
	6-3/4 - 8-1/4	2630-88	15	88
	8 - 9-1/2	2630-96	16	96
	8-1/2 - 10	2627-104	26	104
	9-1/4 - 11-1/4	2630-112	19	112
	11 - 12-3/4	2625-136	13	136
	12 - 14	2630-136	16	136