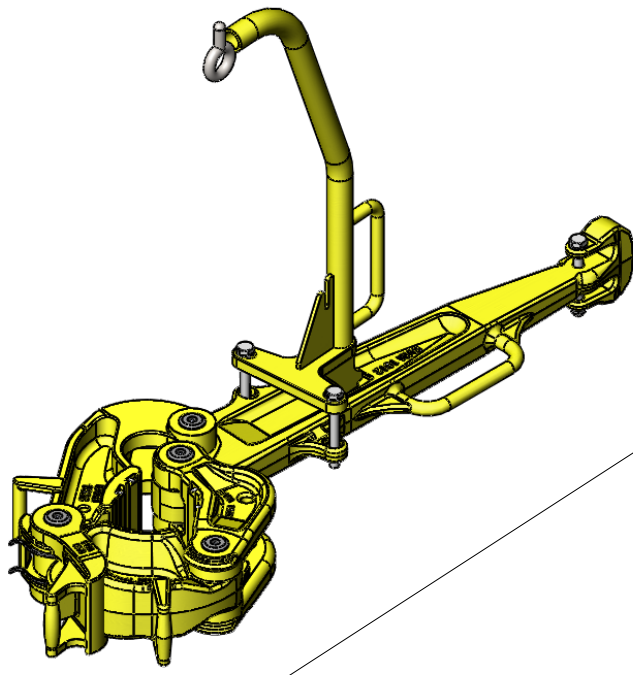
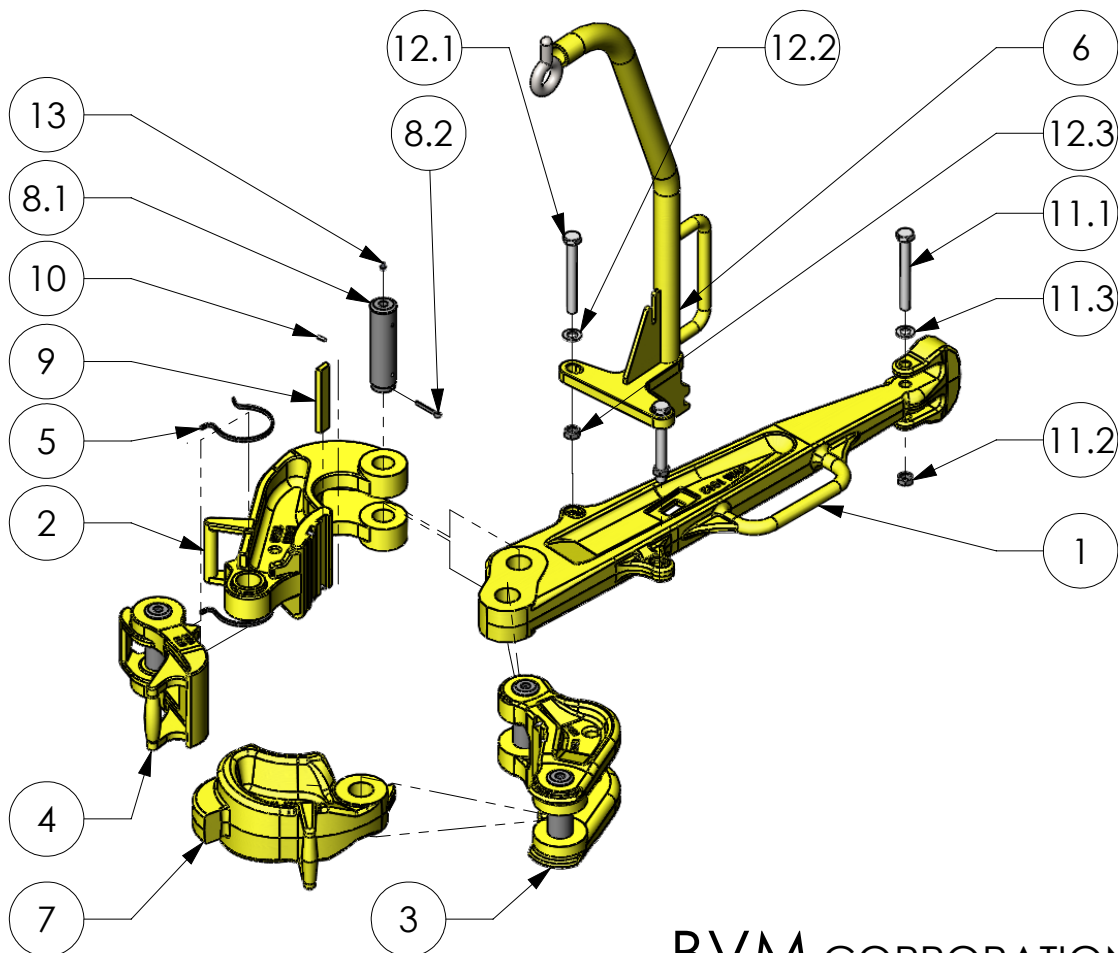


BVM MANUAL TYPE "H" TONG



COMPLETE TONG
WITH 6" - 7"
LUG JAW SHOWN



BVM MANUAL TYPE "H" TONG

ITEM NO	DESCRIPTION	QTY	PART NO	WEIGHT EACH (lbs)
--	H TONG COMPLETE with LEVER, LESS LUG JAWS	--	1800	472.0
1	50" LEVER	1	1812	169.9
2	LONG JAW	1	1820	113.0
3	SHORT JAW	1	1830	86.3
4	LATCH	1	1850	39.8
5	LATCH SPRING	2	1851	0.2
6	HANGER	1	1360	30.0
7	LUG JAW 3 1/2" - 4 1/4" - 80,000 FT-LBS	1	1871	55.7
	LUG JAW 4" - 5 1/4" - 80,000 FT-LBS		1872	52.6
	LUG JAW 5" - 6" - 80,000 FT-LBS		1873	66.1
	LUG JAW 6" - 7" - 80,000 FT-LBS		1874	81.2
	LUG JAW 7" - 9" - 80,000 FT-LBS		1875	74.2
	LUG JAW 9" - 10 3/4" - 80,000 FT-LBS		1876	87.0
	LUG JAW 10 3/4" - 11 3/4" - 60,000 FT-LBS		1877	105.0
	LUG JAW 12 3/4" - 40,000 FT-LBS		1878-1	123.5
	LUG JAW 13 3/8" - 40,000 FT-LBS		1878	113.2
8	HINGE PIN w/COTTER PIN	4	1880	--
8.1	HINGE PIN		1880-1	4.4
8.2	COTTER PIN		30040-18-0	0.0
9	TONG DIE	4	67430	0.8
10	DIE RETAINER PINS	8	40040-06-0	0.1
11	TONG LINE RETAINER BOLT, NUT, & WASHER		1390	--
11.1	BOLT	1	1412C-54-5	1.0
11.2	LOCKNUT	1	6212C-00-5	0.1
11.3	FLAT WASHER	1	22120-00-0	0.1
12	HANGER ADJUSTMENT BOLT, NUT, & WASHER		1365	--
12.1	BOLT	2	1412C-54-5	1.0
12.2	LOCKNUT	2	6212C-00-5	0.1
12.3	FLAT WASHER	2	22120-00-0	0.1
13	GREASE FITTINGS	4	940308-1	0.1