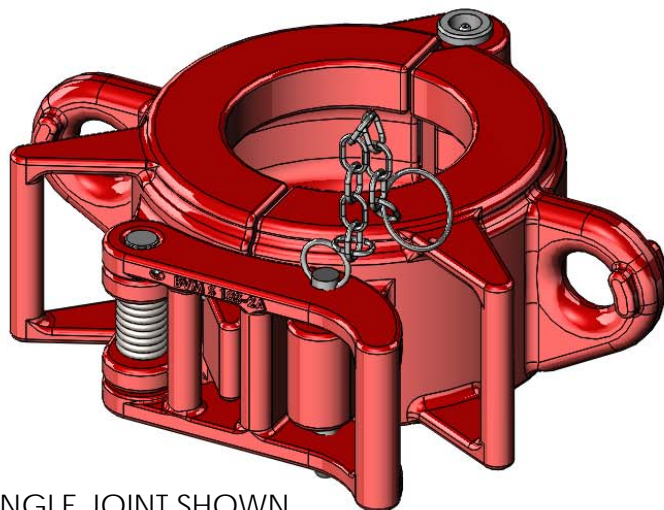
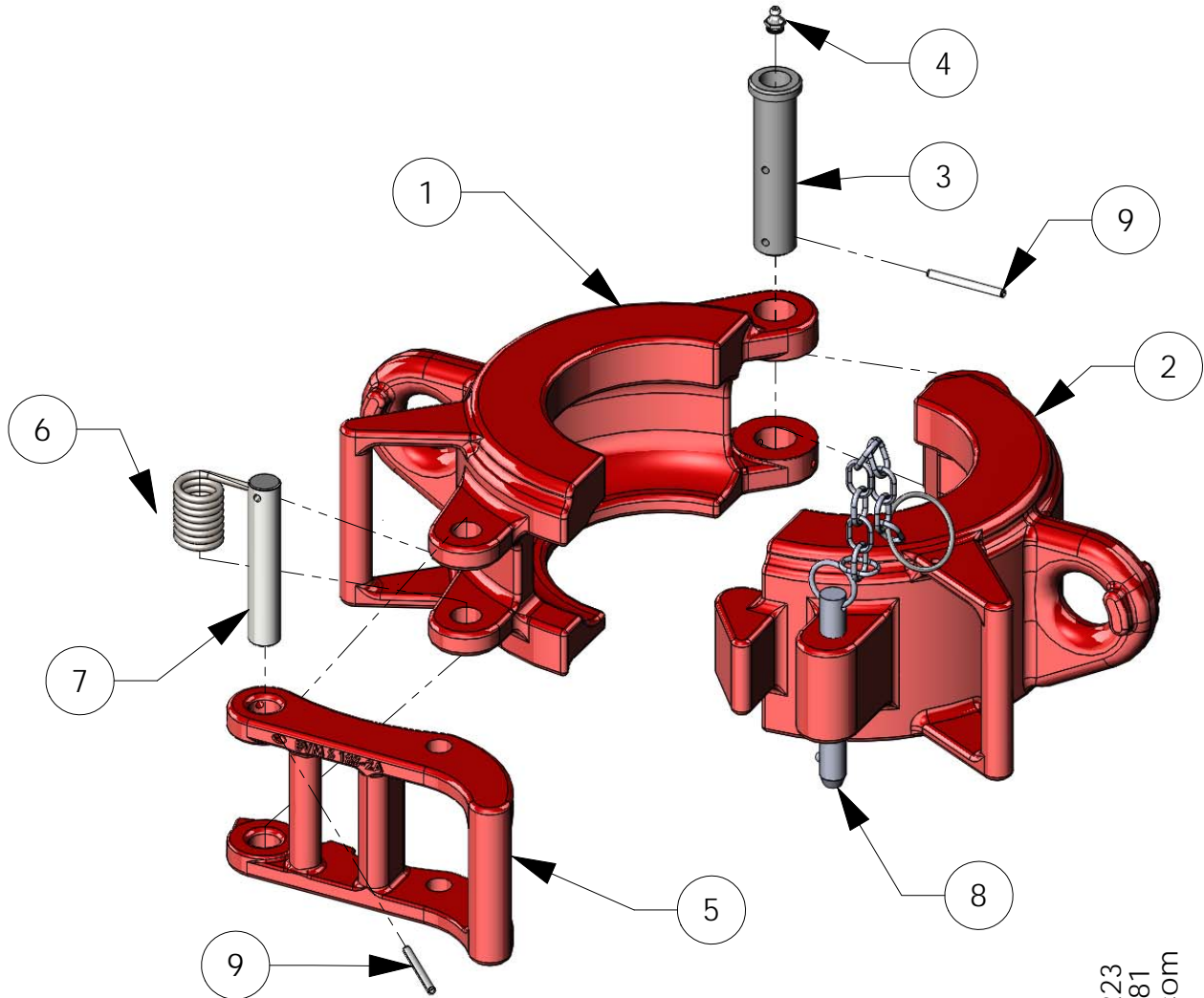


BVM SINGLE JOINT ELEVATOR

BVM Type "S" Single Joint Center Latch Elevators are available for handling casing and tubing sizes from 2-3/8" to 36" and rated to 5 tons. An aluminum bushing style is available for sizes 1.050" to 6" and 18° drill pipe sizes 2-3/8" to 5-7/8" and is rated to 1 ton. This elevator has a safety pin to lock the latch. BVM elevators are made from alloy steel heat treated and magnetic particle inspected. All steel specifications are certified.



184 SINGLE JOINT SHOWN
NO BORE SIZE CHOSEN

04/23/2020

BVM CORPORATION
430 S. NAVAJO STREET, DENVER CO 80223
PHONE: 303-975-1402; FAX: 303-975-0981
www.bvmcorp.com; sales@bvmcorp.com

BVM SINGLE JOINT ELEVATOR

TUBING & CASING		
API SIZE	ELEVATOR P/N	WT (LBS)
2 3/8	183-158	51
2 7/8	183-160	51
3 1/2	183-162	51
4	183-164	51
4 1/2	183-166	52
4 3/4	183-130	65
5	183-131	65
5 1/2	183-132	65
5 3/4	183-133	65
6	184-134	65
6 5/8	184-135	65
6 5/8 18°	184-740	65
7	184-136	65
7 5/8	184-137	65
8 5/8	185-139	85
9	185-140	85
9 5/8	185-141	85
10 3/4	186-142	115
11 3/4	186-143	115
13 3/8	186-144	115
16	187-145	170
18 5/8	187-146	170
20	187-147	170
21 1/2	188-148	283
24 1/2	188-149	283
30	189-644	283
Bushing	184B	58

NOTE : API SIZES NOT LISTED
ARE ALSO AVAILABLE.

ITEM NO.	P/N	DESCRIPTION	WEIGHT (LBS)
1	LEFT*	LEFT BODY	VAR.
2	RIGHT*	RIGHT BODY	VAR.
3	S-183-1A	HINGE PIN FOR S183-S184	1.0
	S-183-1B	HINGE PIN FOR S185-S188	1.5
4	940308-1	GREASE FITTING	0.1
5	S-183-2A	LATCH FOR S183-S186	1.7
	S-183-2B	LATCH FOR S187-S189	2.0
6	S-183-3	LATCH SPRING	0.1
7	S-183-4	LATCH PIN	0.5
8	S-183-5	SAFETY PIN ASSEMBLY WITH CHAIN	0.4
8.1	S-183-5-1	CHAIN	-
8.2	S-183-5-2	QUICK RELEASE PIN	-
9	40030-16-0	ROLL PIN (Qty: 2)	-
10**	1006C-08-0	3/8" FLAT HEAD BOLT (Qty: 6)	0.1
--	S-190B-XXX^	BUSHING	VAR.
--	S-183-6	WIRE LINE SLING - OPTIONAL	7.0
--	S-183-7	SWIVEL SUSPENSION ASSEMBLY	25.0

*The Left and Right Body P/N depends on the size of the elevator

**Only for bushing type elevator 184-B

^XXX Depends on bore size

04/23/2020