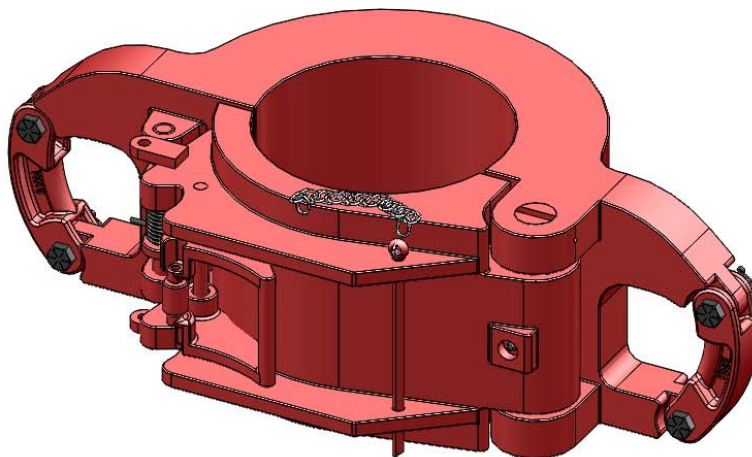
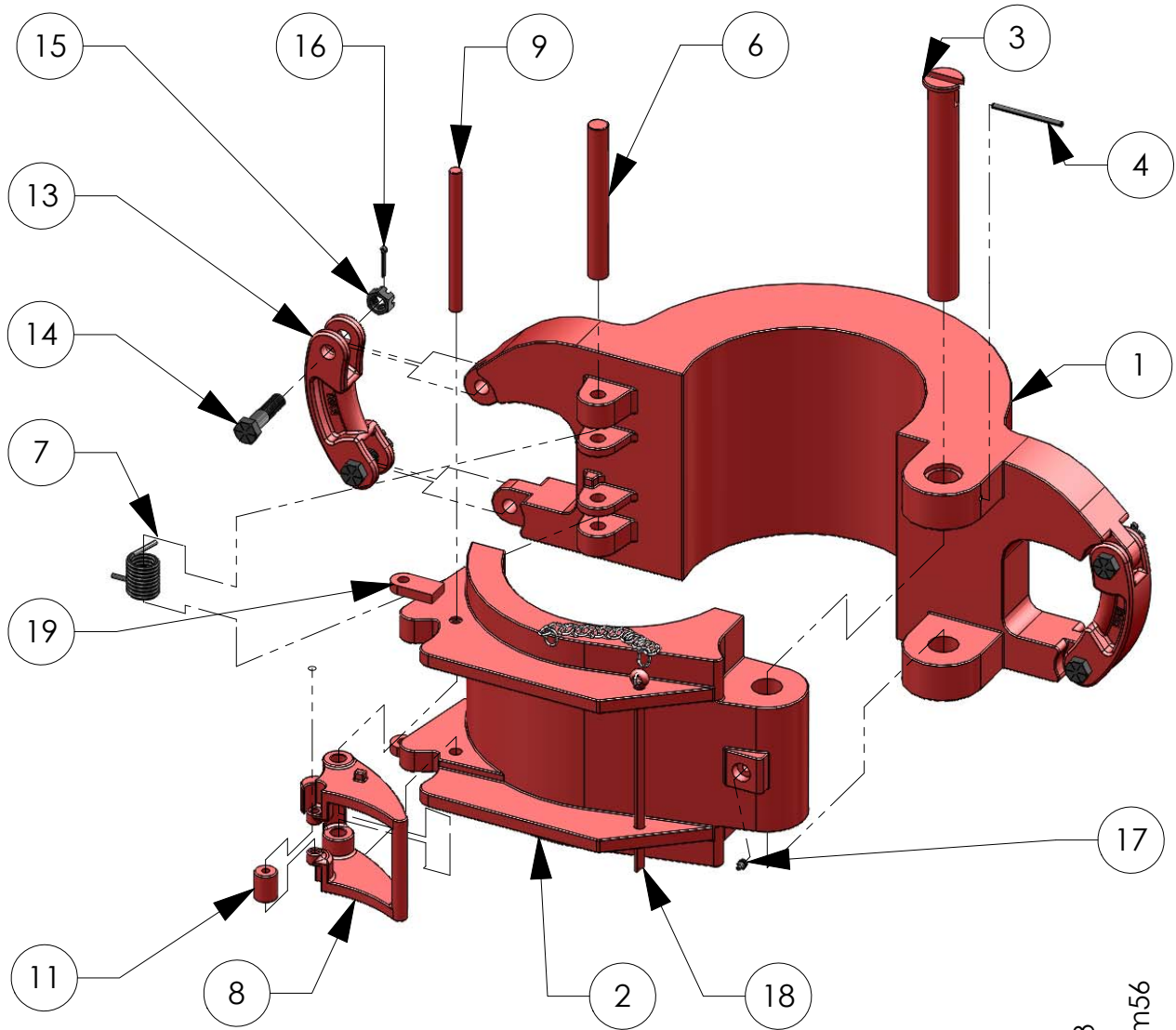


# BVM SLX SERIES ELEVATOR

SLX ELEVATORS ARE CONVENTIONAL SIDE DOOR ELEVATORS USED FOR HANDLING TUBING & CASING RANGING IN SIZE FROM 2 3/8" TO 36" AND HAVE A LOAD RATING OF 100 TO 250 TONS. BVM ELEVATORS ARE MADE FROM ALLOY STEEL, HEAT TREATED, LOAD TESTED, AND MAGNETIC PARTICLE INSPECTED. ALL STEEL SPECIFICATIONS ARE CERTIFIED.



**BVM CORPORATION**  
430 S. NAVAJO STREET, DENVER CO 80223  
PHONE: 303-975-1402; FAX: 303-975-0981  
www.bvmcorp.com; sales@bvmcorp.com56

# BVM SLX SERIES ELEVATOR

REF NO.	DESCRIPTION	NO. REQ.	SLX 100	SLX 150	SLX 150	SLX 150	SLX 150	SLX 150	SLX 150
			2 3/8" - 5 1/2"	3 1/2" - 8 5/8"	9 1/2"-10 3/4"	11 3/4"-13 3/8"	16"-20"	24" - 30"	36"
			33854-***	31239-***	33950-***	33982-***	33632-***	33175-***	33180-***
1	BODY	1	33854L	31239L	33950L	33982L	33632L	33175L	33180L
2	DOOR	1	33854R	31239R	33950R	33982R	33632R	33175R	33180R
-	DOOR HANDLE	1	33810-1	33810-3	33810-3	33810-3(x2)	33810-4 (x2)	33810-3 (x2)	33810-4 (x2)
3	HINGE PIN	1	34613-1*	34611	33953-1*	33985	33646-3*	34179-3*	34179-2*
4	HINGE PIN RETAINER	1	40040-16-0	-	40040-26-0	-	40040-32-0	40040-32-0	40040-32-0
5	LATCH	1	33813	31331	31331	31331	33634	33634	33634
6	LATCH PIN	1	29980-3	50713	32424-3	32424-3	33645-1	33645-1	33645-2
7	LATCH SPRING	1	33818	31383	31383	31383	33657	33657	33657
8	LATCH LOCK	1	33812	31332	31332	31332	33635	33635	33635
9	LATCH LOCK PIN	1	29980-3	29980-4	29980-5	29980-5	50713-1	50713-1	29980-6
10	LATCH LOCK SPRING	1	33816	31404	31404	31404	33658	33658	33658
11	ROLLER	1	31407	31407	31407	31407	31407	31407	31407
12	ROLLER PIN	1	31584	31584	31584	31584	31584	31584	31584
13	LINK BLOCK	2	32430	9519	9519	9519	9519	9519	9519
14	LINK BLOCK BOLT	4	939051-65	8145	8145	8145	8145	8145	8145
15	LINK BLOCK NUT	4	6812C-00-5	6812C-00-5	6812C-00-5	6812C-00-5	6812C-00-5	6812C-00-5	6812C-00-5
16	COTTER PIN	4	30AB0-14-0	30AB0-14-0	30AB0-14-0	30AB0-14-0	30AB0-14-0	30AB0-14-0	30AB0-14-0
17	GREASE FITTING	1	940308-1	940308-1	940308-1	940308-1	940308-1	940308-1	940308-1
18	PIN & CHAIN ASSEMBLY	1	10571-1	10571-2	10571-3	10571-2	10571-4	10571-4	10571-4
19	SAFETY PIN SUPPORT	2	10428	10428	10428	10428	10428	10428	10428
-	HANDLES	2	-	-	-	-	1360-14	1360-14	1360-14

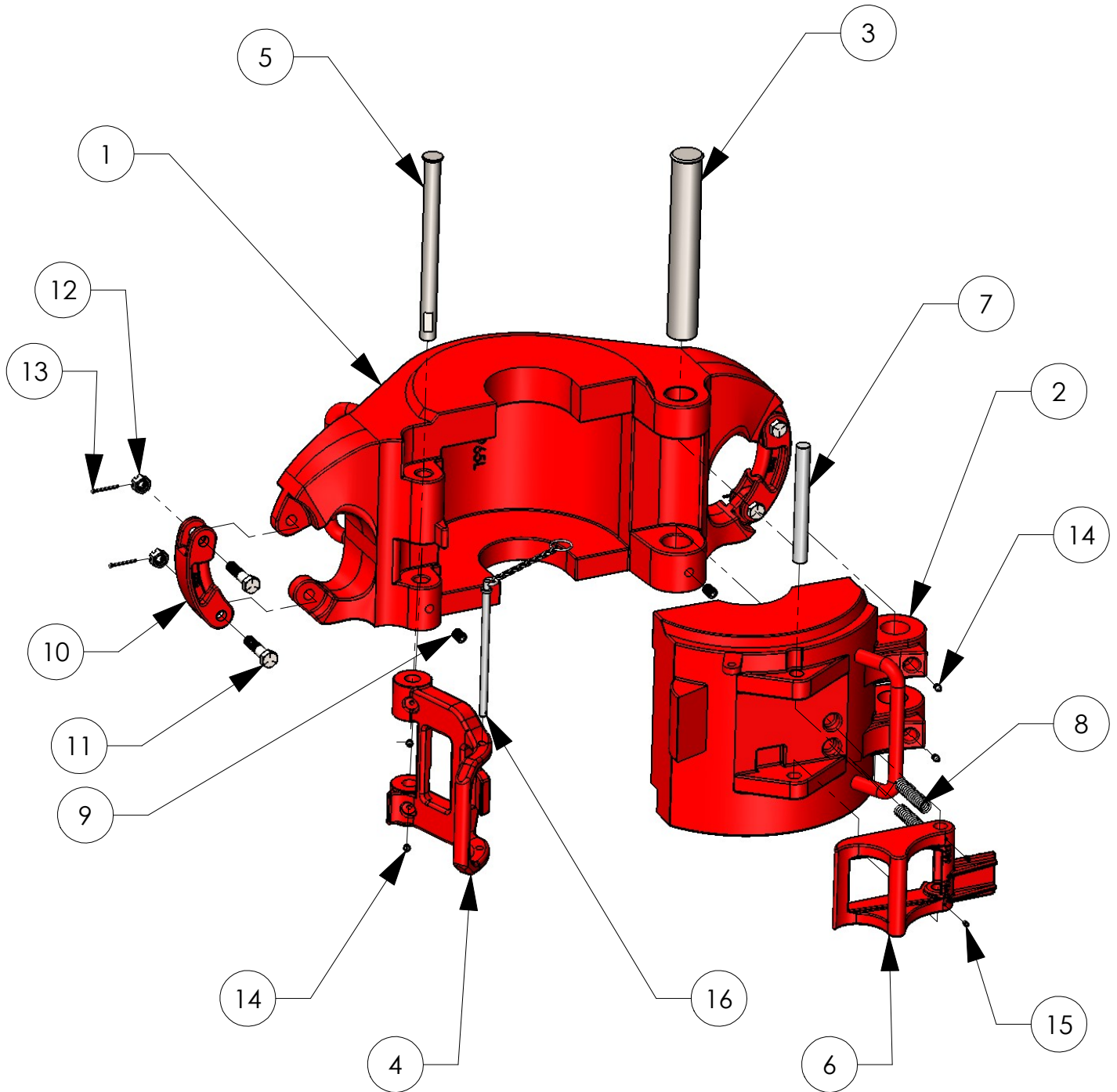
REF NO.	DESCRIPTION	NO. REQ.	SLX 250	SLX 250	SLX 250	SLX 250	SLX 250	SLX 250
			4 1/2" - 8 5/8"	9 5/8"-10 3/4"	11 3/4" - 14"	16" - 24"	24" - 30"	36"
			43239-***	43950-***	43982-***	43632-***	43175-***	43180-***
1	BODY	1	43239L	43950L	43982L	43632L	43175R	43180L
2	DOOR	1	43239R	43950R	43982R	43632R	43175L	43180R
-	DOOR HANDLE	1	33810-2	33810-2	33810-4	33810-3(x2)	33810-3 (x2)	33810-4 (x2)
3	HINGE PIN	1	33646-2	33646-2	33646-4*	34179	34179-3*	34179-2*
4	HINGE PIN RETAINER	1	-	-	40040-24-0	-	40040-32-0	40040-32-0
5	LATCH	1	31331	31331	33634	33634	33634	33634
6	LATCH PIN	1	33645	32424-3	33645-2	33645-2	33645-1	33645-2
7	LATCH SPRING	1	31383	33657	33657	33657	33657	33657
8	LATCH LOCK	1	31332	31332	33635	33635	33635	33635
9	LATCH LOCK PIN	1	29980-4	29980-5	50713-1	29980-5	50713-1	29980-6
10	LATCH LOCK SPRING	1	31404	33658	33658	33658	33658	33658
11	ROLLER	1	31407	31407	31407	31407	31407	31407
12	ROLLER PIN	1	31584	31584	31584	31584	31584	31584
13	LINK BLOCK	2	9519	9519	9519	9519	9519	9519
14	LINK BLOCK BOLT	4	8145	8145	8145	8145	8145	8145
15	LINK BLOCK NUT	4	6812C-00-5	6812C-00-5	6812C-00-5	6812C-00-5	6812C-00-5	6812C-00-5
16	COTTER PIN	4	30AB0-14-0	30AB0-14-0	30AB0-14-0	30AB0-14-0	30AB0-14-0	30AB0-14-0
17	GREASE FITTING	1	940308-1	940308-1	940308-1	940308-1	940308-1	940308-1
18	PIN & CHAIN ASSEMBLY	1	10571-3	10571-4	10571-4	10571-4	10571-4	10571-4
19	SAFETY PIN SUPPORT	2	10428	10428	10428	10428	10428	10428
-	HANDLES	2	-	-	-	1360-14	1360-14	1360-14

\* = For Elevator P/N 33632 of S/N 28619 and Lower, Use P/N 33646  
 For Elevator P/N 33175 of S/N 27428 and Lower, Use P/N 34179  
 For Elevator P/N 43175 of S/N 31042 and Lower, Use P/N 34179  
 For Elevator P/N 33180 of S/N 29235 and Lower, Use P/N 34179-1  
 For Elevator P/N 43180 of S/N 30476 and Lower, Use P/N 34179-1  
 For Elevator P/N 33854 of S/N 36228 and Lower, Use P/N 34613  
 For Elevator P/N 33950 of S/N 39498 and Lower, Use P/N 33953  
 For Elevator P/N 43982 of S/N 39184 and Lower, Use P/N 33646-1  
 For Elevator P/N 43632 of S/N 40501 and Lower, Use P/N 34179  
 Otherwise, use P/N indicated in the Table

\*\*\* = See Bore Code Charts

# BVM SX ELEVATOR

BVM's SX Elevators are Side Door Elevators and used for handling casing ranging in size from 5 1/2" to 20" and have a load rating of 350 to 750 tons. BVM elevators are made from alloy steel, heat treated, load tested and magnetic particle inspected. All steel specifications are certified.



## BVM CORPORATION

430 S. NAVAJO STREET, DENVER CO 80223  
PHONE: 303-975-1402; FAX: 303-975-0981  
www.bvmcorp.com; sales@bvmcorp.com

# BVM SX ELEVATOR

ITEM NO.	DESCRIPTION	QTY	350 Ton	350 Ton	500 Ton	500 Ton	750 Ton
			5 1/2" - 13 3/8"	16" - 20"	6 5/8" - 13 3/8"	16"- 20"	7 5/8" - 13 3/8"
1	BODY	1	29965L	29966L	29964L	30729L	46950L
2	DOOR	1	29965R	29966R	29964R	30729R	46950R
3	HINGE PIN	1	29956	29956	29956	29956	38115
4	LATCH	1	29945	29945	29945	29945	38130
5	LATCH PIN	1	29951	29951	29951	29951	38125
6	LATCH LOCK	1	6021	6021	6021	6021	6021
7	LATCH LOCK PIN	1	6027	6027	6027	6027	6027
8	LATCH SPRING	1	30657	30657	30657	30657	30657
9	SET SCREW	1	939565-143	939565-143	939565-143	939565-143	7008F-06
10	LINK BLOCK	2	9519	9519	9519	9519	63009-1
11	LINK BLOCK BOLT	2	8145	8145	8145	8145	79805 (X2)
12	LINK BLOCK NUT	2	6812C-00-5	6812C-00-5	6812C-00-5	6812C-00-5	6812C-00-5 (X2)
13	COTTER PIN	2	30AB0-14-0	30AB0-14-0	30AB0-14-0	30AB0-14-0	30040-24-0 (X2)
14	GREASE FITTING	1	940308-1	940308-1	940308-1	940308-1	940308-1
15	GREASE FITTING	2	992073-1	992073-1	992073-1	992073-1	992073-1
16	PIN & CHAIN	1	10550	10550	10550	10550	10550
17	LOWER LINK BLOCK BOLT	2	-	-	-	-	38116
18	SET SCREW	4	-	-	-	-	7006F-06
19	COTTER PIN	2	-	-	-	-	30AB0-14-0